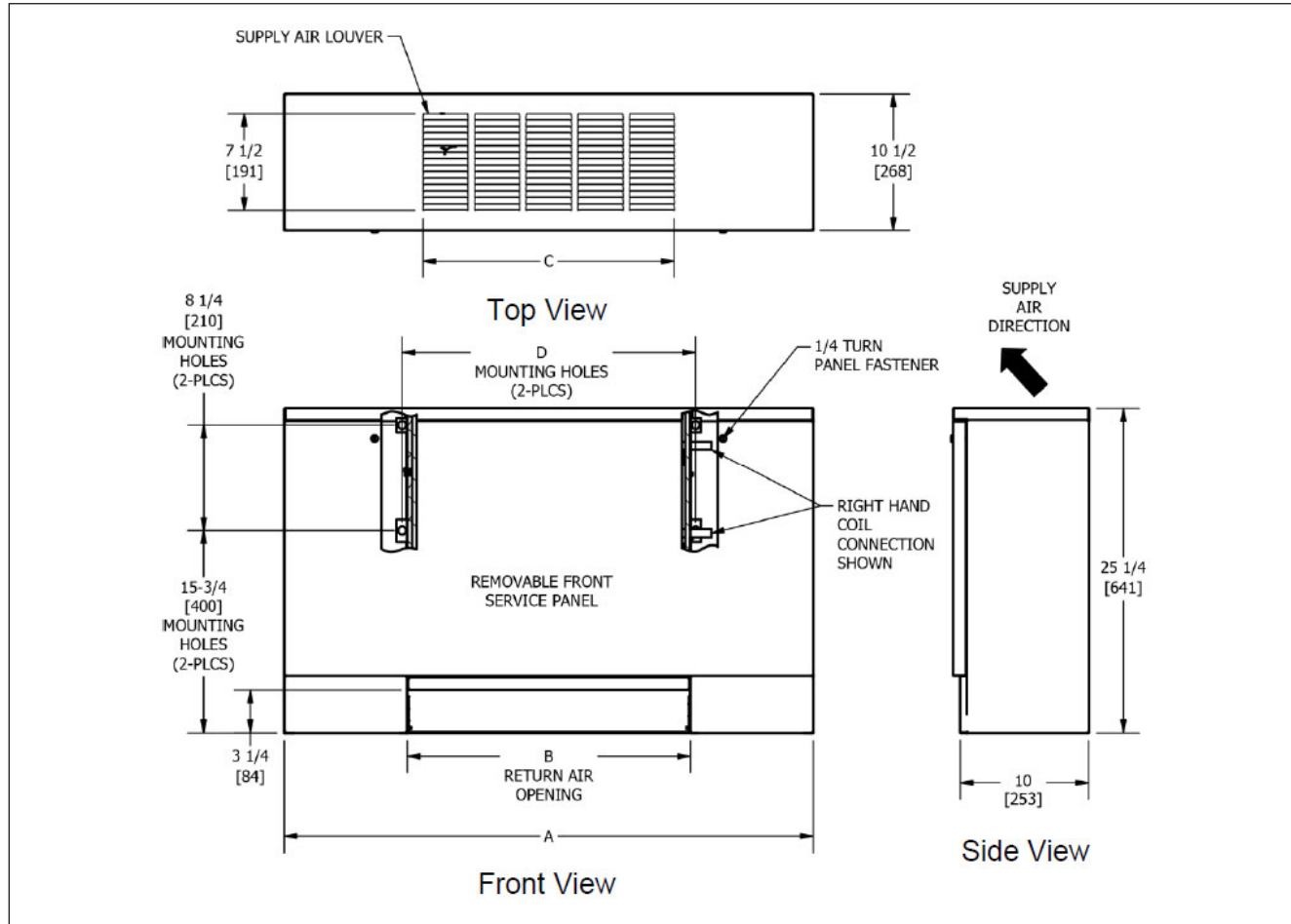


RBVC UNIT DIMENSIONS



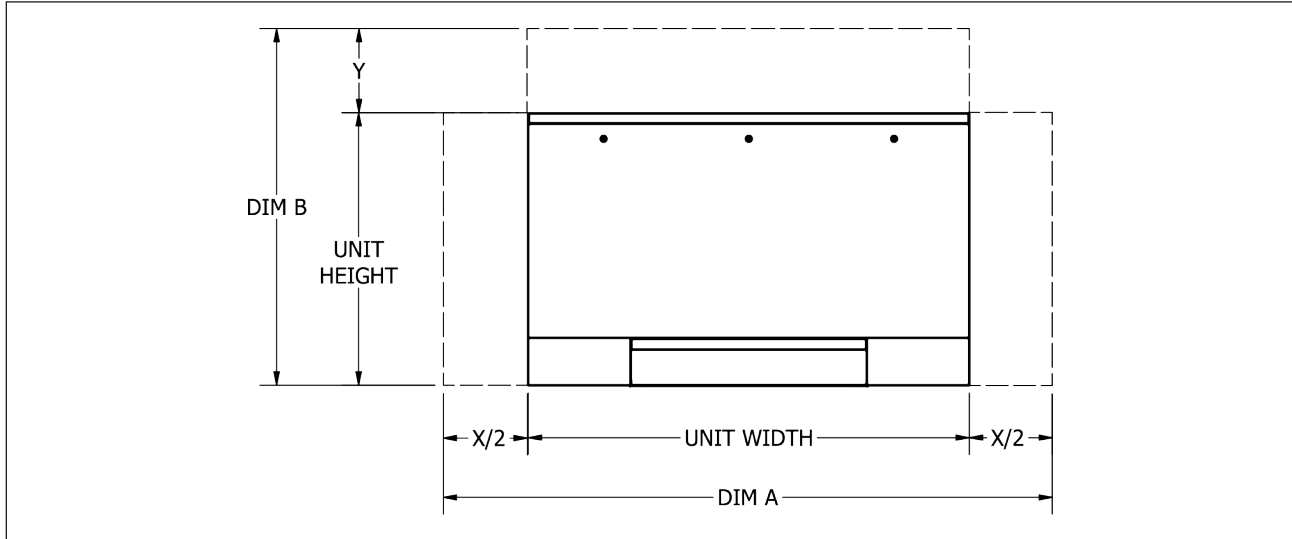
Dimensions				
Unit Size	A	B	C	D
02	40 [1016]	22 [559]	19 1/2 [495]	22 3/4 [578]
03	44 [1117]	26 [660]	23 1/2 [597]	26 3/4 [679]
04	50 [1270]	32 [813]	27 1/2 [699]	32 3/4 [832]
06	60 [1524]	42 [1067]	39 1/2 [1003]	42 3/4 [1086]
08	62 [1574]	44 [1118]	39 1/2 [1003]	44 3/4 [1137]
10	76 [1930]	58 [1473]	55 1/2 [1410]	58 3/4 [1492]
12	84 [2133]	66 [1676]	63 1/2 [1613]	66 3/4 [1695]

Notes:

1. All dimensions are Inches [millimeters]. All dimensions $\pm 1/4$ " [6mm]. Metric values are soft conversion.
2. Junction box size and location varies with unit features. Control options may be limited. Provide sufficient clearance to access electrical controls and comply with applicable codes and ordinances.
3. Standard cabinet finish is "British White"
4. Parametric design available to increase Height or Width (See parametric offerings drawing).
5. Some control or piping package options may require extended end pockets and/or extended drain pans. (See extended end pocket drawing).
6. False backs ship loose for field installation

All dimensions are in inches

RBVC UNIT DIMENSIONS - PARAMETRIC INCREMENTS



Dimension A (inches)													
Size	X=0	X=1	X=2	X=3	X=4	X=5	X=6	X=7	X=8	X=9	X=10	X=11	X=12
02	40	-	42	43	44	45	46	47	48	49	50	51	52
03	44	-	46	47	48	49	50	51	52	53	54	55	56
04	50	-	52	53	54	55	56	57	58	59	60	61	62
06	60	-	62	63	64	65	66	67	68	69	70	71	72
08	62	-	64	65	66	67	68	69	70	71	72	73	74
10	76	-	78	79	80	81	82	83	84	85	86	87	88
12	84	-	86	87	88	89	90	91	92	93	94	N/A	N/A
Dimension B (inches)													
All Sizes	Y=0	Y=1	Y=2	Y=3	Y=4	Y=5	Y=6	Y=7	Y=8	Y=9	Y=10	Y=11	Y=12
	25 ¼	26 ¼	27 ¼	28 ¼	29 ¼	30 ¼	31 ¼	32 ¼	33 ¼	34 ¼	35 ¼	36 ¼	37 ¼

Dimension A (millimeters)													
Size	X=0	X=25	X=51	X=76	X=102	X=127	X=152	X=178	X=203	X=229	X=254	X=279	X=305
02	1016	-	1018	1019	1020	1021	1022	1023	1024	1025	1026	1027	1028
03	1116	-	1120	1121	1122	1123	1124	1125	1126	1127	1128	1129	1130
04	1270	-	1272	1273	1274	1275	1276	1277	1278	1279	1280	1281	1282
06	1524	-	1526	1527	1528	1529	1530	1531	1532	1533	1534	1535	1536
08	1575	-	1577	1578	1579	1580	1581	1582	1583	1584	1585	1586	1587
10	1930	-	1932	1933	1934	1935	1936	1937	1938	1939	1940	1941	1942
12	2134	-	2136	2137	2138	2139	2140	2141	2142	2143	2144	N/A	N/A
Dimension B (millimeters)													
All Sizes	Y=0	Y=20	Y=51	Y=76	Y=102	Y=127	Y=152	Y=178	Y=203	Y=229	Y=254	Y=279	Y=305
	641	667	692	718	743	768	794	819	845	870	895	921	946

Note:

Internal chassis and air openings remain the same. External cabinet can increase in height and width in 1" (25.4mm) increments up to 12" (305mm).

All dimensions are in inches