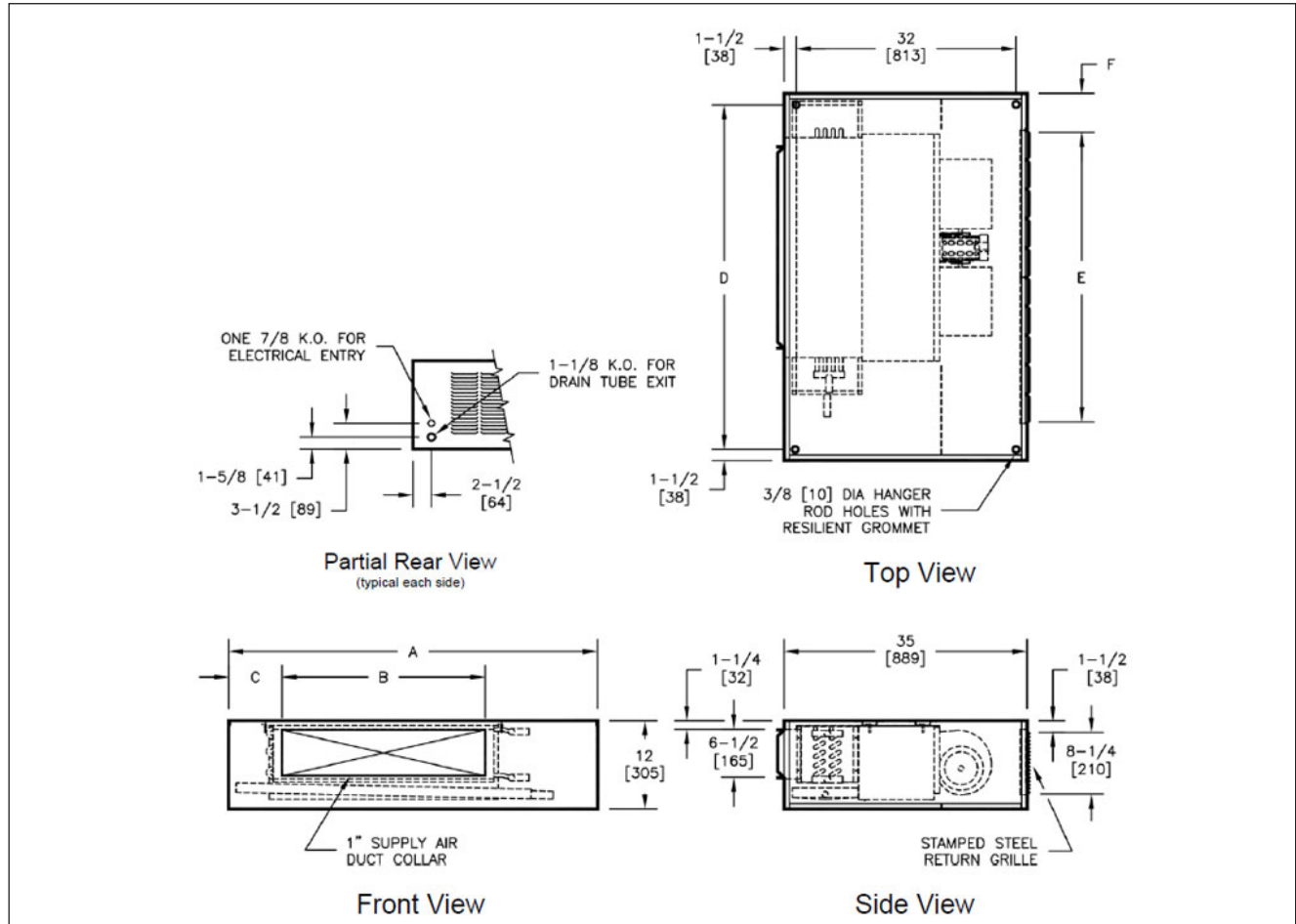


RBHC UNIT DIMENSIONS



Dimensions						
Unit Size	A	B	C	D	E	F
20	40 [1016]	19 1/2 [495]	6 1/4 [159]	37 [940]	27 1/2 [699]	6 1/4 [159]
25	46 [1168]	23 1/2 [597]	6 1/4 [159]	43 [1092]	35 1/2 [902]	5 1/4 [133]
30	50 [1270]	27 1/2 [699]	7 1/4 [184]	47 [1194]	39 1/2 [1003]	5 1/4 [133]
40	60 [1524]	39 1/2 [1003]	6 1/4 [159]	57 [1448]	47 1/2 [1207]	6 1/4 [159]
50	70 [1778]	47 1/2 [1207]	7 1/4 [184]	67 [1702]	59 1/2 [1511]	5 1/4 [133]
60	80 [2032]	59 1/2 [1511]	6 1/4 [159]	77 [1956]	67 1/2 [1715]	6 1/4 [159]

Notes:

1. All dimensions are inches [millimeters]. All dimensions ± 1/4" [6mm]. Metric values are soft conversion.
2. Left hand unit shown, right hand unit opposite
3. Electrical enclosure size and location may vary with optional features. Provide sufficient clearance to access electrical controls and comply with applicable codes and ordinances.
4. Drain piping should be routed through casting opening indicated to provide proper drain slope
5. Louvered bottom panel is hinged and removable for access to filter and fan assembly
6. Fixed bottom panel is removable for access to optional electrical enclosure, coil, and drain pan
7. Internal insulation of field piping may be required
8. Field piping casting penetrations must be cut in the field to match individual job requirements