

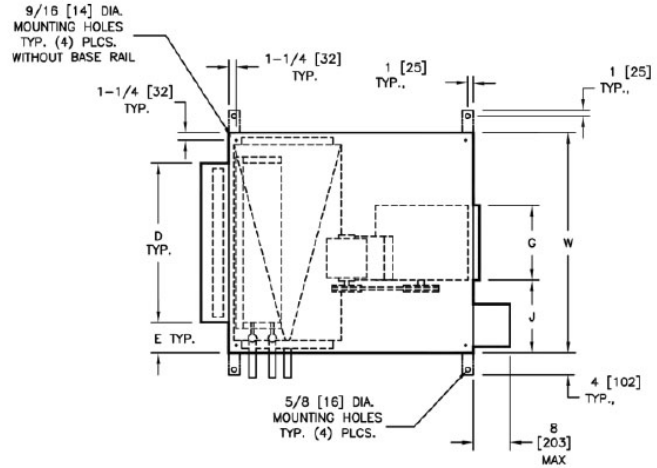
Dimensions

SBH UNIT DIMENSIONS / DISCHARGE ARRANGEMENT 2

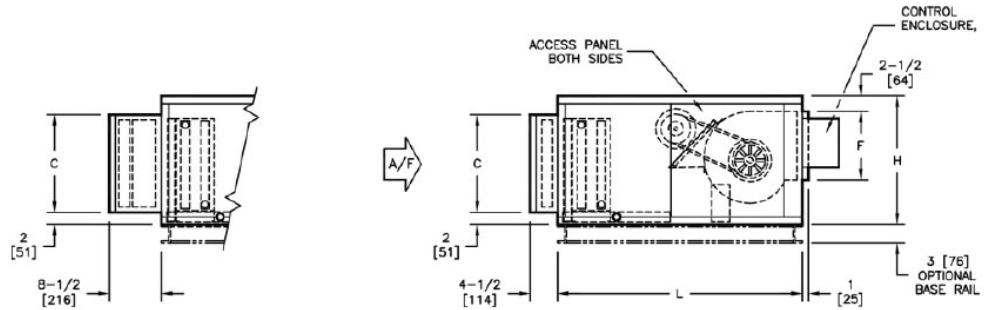
SO TOUGH, WE GUARANTEE IT! | www.superiorrex.com

Notes:

1. All dimensions are inches [millimeters]. All dimensions are $\pm 1/4"$ [6mm]. Metric values are soft conversion.
2. Right hand unit shown, left hand unit opposite. Motor/drive location may be specified Left or Right Hand. Standard control enclosure location matches motor/drive position.
3. Provide sufficient clearance to permit access to controls and comply with applicable codes and ordinances
4. Flat filter rack may be located at unit inlet as required. See drawing for filter rack details.
5. Base rail is optional on the base unit. See drawing. Base rails must be used with mixing box.
6. See coil connection detail drawings for coil connection sizes and locations



Top View



High Efficiency Filter Rack

Standard Filter Rack

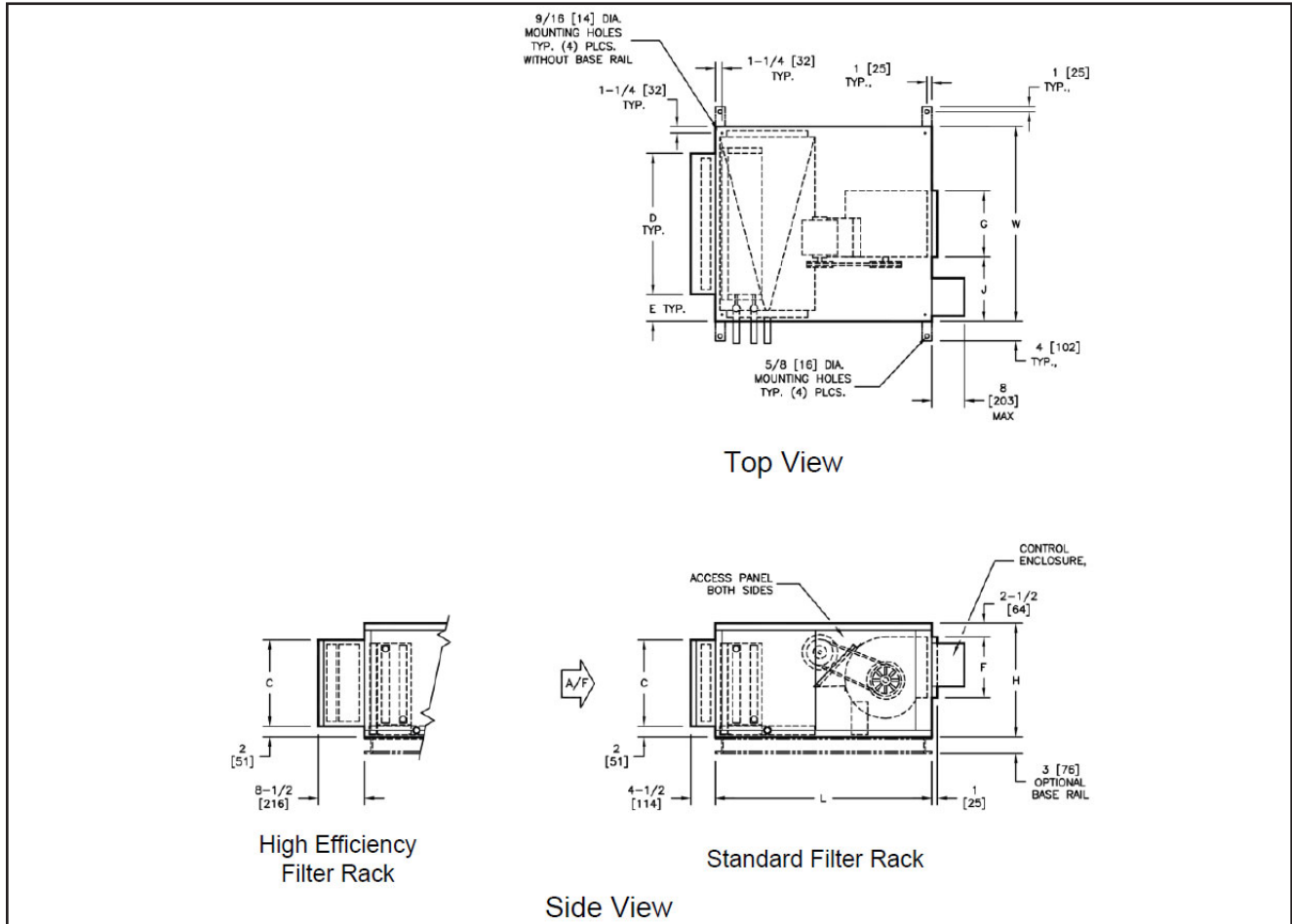
Side View

Dimensions										
Unit Size	Fan Size	L	W	H	C	D	E	F	G	J
08	9 x 4 [229 x 102]	24 [610]	30 [762]	44 [1118]	16 [406]	20 [508]	5 [127]	10 1/4 [260]	6 7/8 [175]	11 9/16 [294]
12	9 x 6 [229 x 152]	24 [610]	36 [914]	44 [1118]	16 [406]	25 [635]	5 1/2 [140]	11 1/4 [286]	8 1/4 [210]	13 7/8 [352]
16	10 x 8 [254 x 203]	24 [610]	44 [1118]	44 [1118]	16 [406]	39 1/2 [1003]	2 1/4 [57]	13 1/2 [343]	10 1/4 [260]	16 7/8 [429]
20	10 x 10 [254 x 524]	30 [762]	50 [1270]	50 [1270]	16 [406]	44 1/2 [1130]	2 3/4 [70]	13 1/2 [343]	13 1/4 [337]	18 3/8 [467]
30	15 x 9 [381 x 229]	30 [762]	59 [1499]	56 [1422]	25 [635]	51 [1295]	4 [102]	16 [406]	13 1/4 [337]	22 7/8 [581]
40	15 x 11 [381 x 279]	30 [762]	68 [1727]	59 [1499]	25 [635]	59 [1499]	4 1/2 [114]	16 [406]	15 [381]	26 1/2 [673]



SO TOUGH, WE GUARANTEE IT! | www.superiorrex.com

SBH UNIT DIMENSIONS / DISCHARGE ARRANGEMENT 3



Notes:

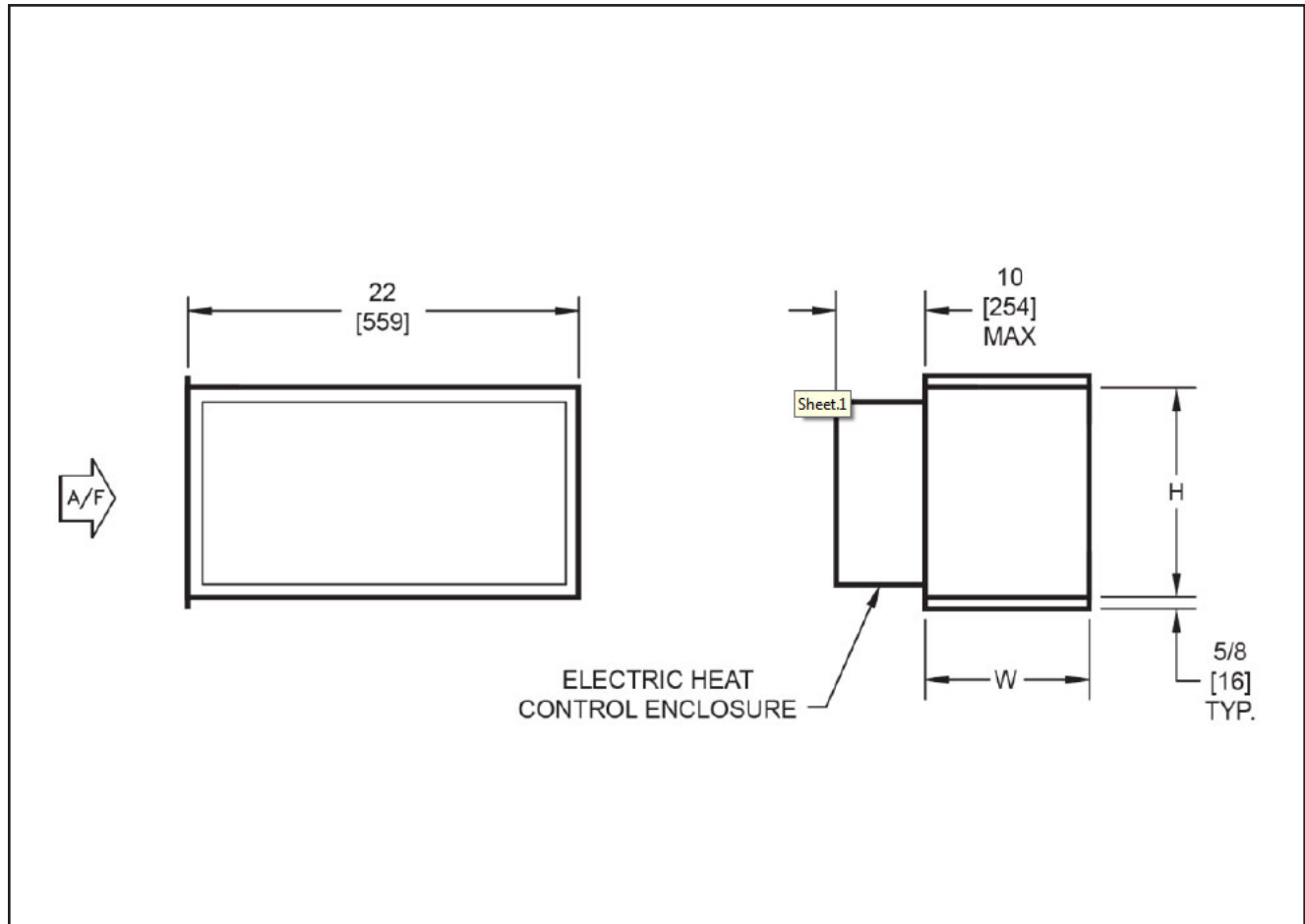
1. All dimensions are inches [millimeters]. All dimensions are $\pm 1/4"$ [6mm]. Metric values are soft conversion.
2. Damper drive rods are internal, located on both sides of unit
3. Mixing box includes space for standard flat filter rack
4. Base rails are including with mixing box

Dimensions										
Unit Size	Fan Size	L	W	H	C	D	E	F	G	J
08	9 x 4 [229 x 102]	40 [1016]	30 [762]	21 [533]	16 [406]	20 [508]	5 [127]	10 1/4 [260]	6 7/8 [175]	11 9/16 [294]
12	9 x 6 [229 x 152]	40 [1016]	36 [914]	21 [533]	16 [406]	25 [635]	5 1/2 [140]	11 1/4 [286]	8 1/4 [210]	13 7/8 [352]
16	10 x 8 [254 x 203]	40 [1016]	44 [1118]	21 [533]	16 [406]	39 1/2 [1003]	2 1/4 [57]	11 3/8 [289]	10 1/4 [260]	16 7/8 [429]
20	10 x 10 [254 x 524]	40 [1016]	50 [1270]	21 [533]	16 [406]	44 1/2 [1130]	2 3/4 [70]	11 3/8 [289]	13 1/4 [337]	18 3/8 [467]
30	15 x 9 [381 x 229]	46 [1168]	59 [1499]	30 [762]	25 [635]	51 [1295]	4 [102]	16 [406]	13 1/4 [337]	22 7/8 [581]
40	15 x 11 [381 x 279]	46 [1168]	68 [1727]	30 [762]	25 [635]	59 [1499]	4 1/2 [114]	16 [406]	15 [381]	26 1/2 [673]

All dimensions are in inches

Dimensions

SBH / SBV, BLOW-THRU ELECTRIC HEAT



Notes:

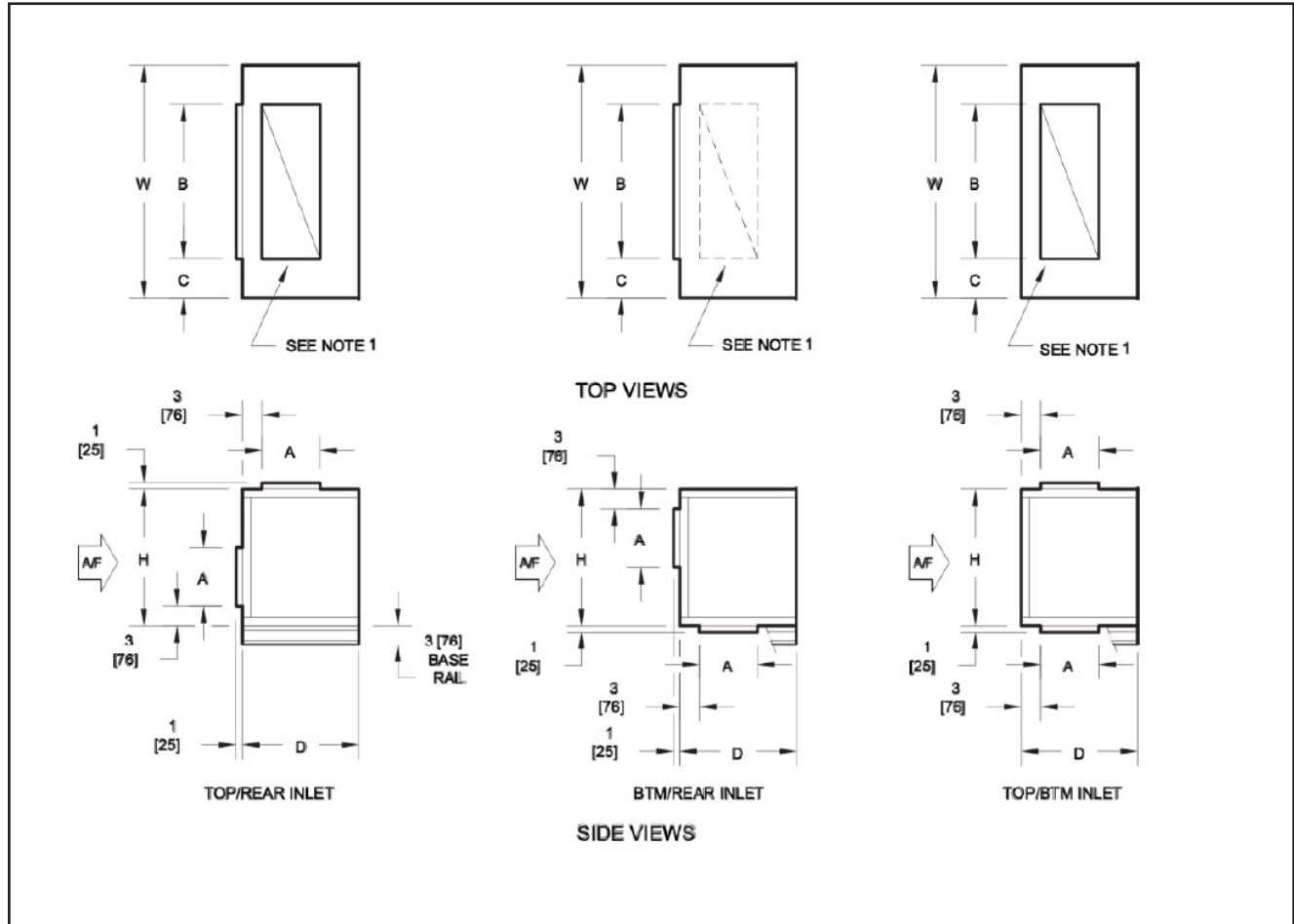
1. All dimensions are inches [millimeters]. All dimensions are $\pm 1/4$ " [6mm]. Metric values are soft conversion.
2. Motor/drive location may be specified Left or Right Hand. Standard control enclosure location matches motor/drive position
3. Provide sufficient clearance to permit access to controls and comply with applicable codes and ordinances
4. Available for horizontal discharge only

BLOW-THRU ELECTRIC HEAT SECTION

Unit Size	H	W	Weight lbs [kg]
08	11 ⁷ / ₈ [302]	8 ⁷ / ₈ [225]	42 [19]
12	11 ⁷ / ₈ [302]	8 ⁷ / ₈ [225]	42 [19]
16	12 [305]	10 ⁷ / ₈ [278]	42 [19]
20	12 [305]	13 ⁷ / ₈ [352]	50 [23]
30	16 ⁵ / ₈ [422]	13 ⁷ / ₈ [352]	55 [25]
40	16 ⁵ / ₈ [422]	15 ⁷ / ₈ [397]	55 [25]



SBH / SBV STANDARD MIXING BOX



Notes:

1. All dimensions are inches [millimeters]. All dimensions are $\pm 1/4$ " [6mm]. Metric values are soft conversion.
2. Damper drive rods are internal, located on both sides of unit
3. Mixing box includes space for standard flat filter rack
4. Base rails are including with mixing box

Dimensions						
Unit Size	H	W	A	B	C	D
08	21 [533]	30 [762]	9 [229]	18 [457]	6 [152]	18 [457]
12	21 [533]	36 [914]	9 [229]	24 [610]	6 [152]	18 [457]
16	21 [533]	44 [1118]	9 [229]	30 [762]	7 [178]	18 [457]
20	21 [533]	50 [1270]	12 [305]	36 [914]	7 [178]	21 [533]
30	30 [762]	59 [1499]	12 [305]	45 [1143]	7 [178]	21 [533]
40	30 [762]	68 [1727]	15 [381]	48 [1219]	10 [254]	24 [610]