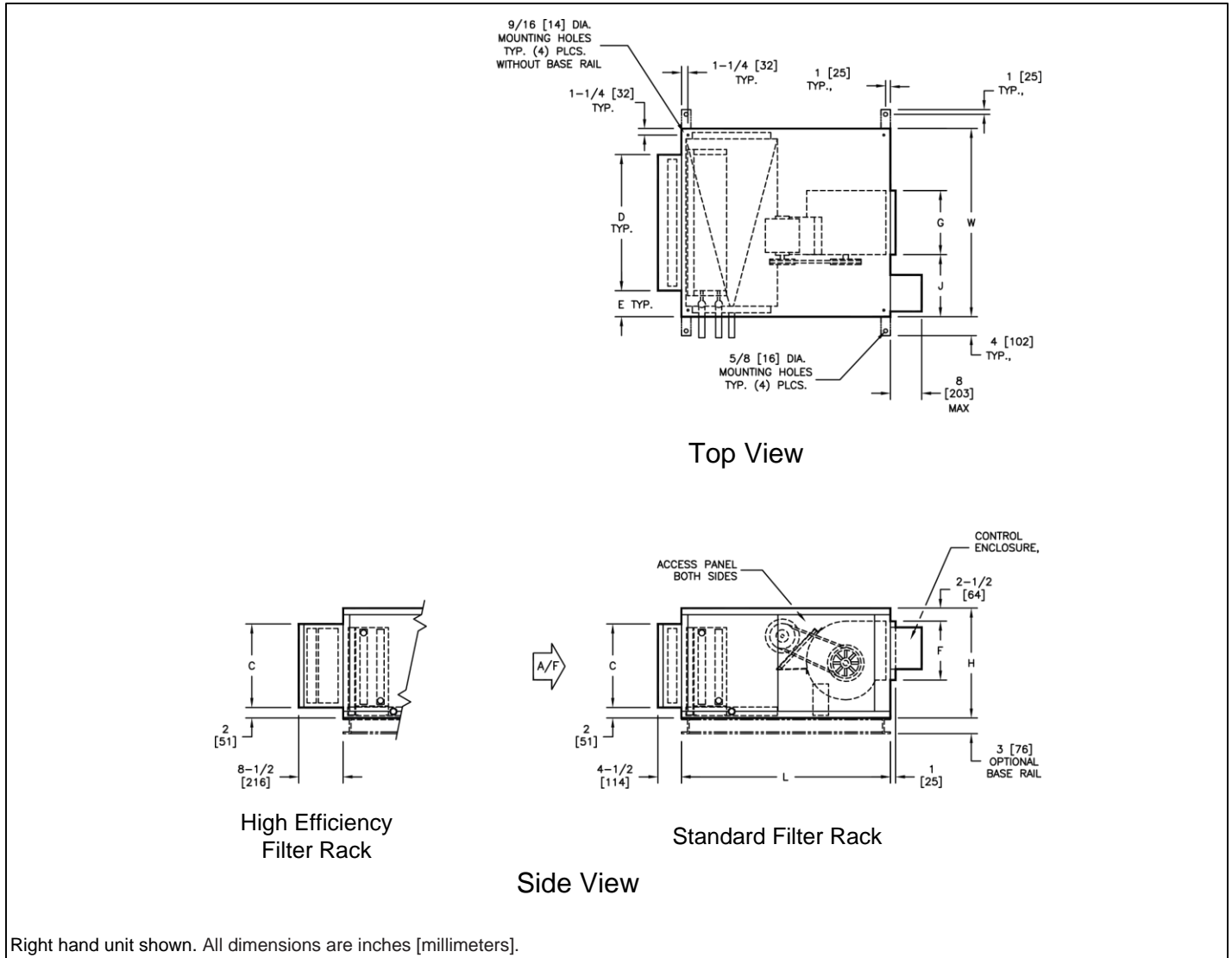


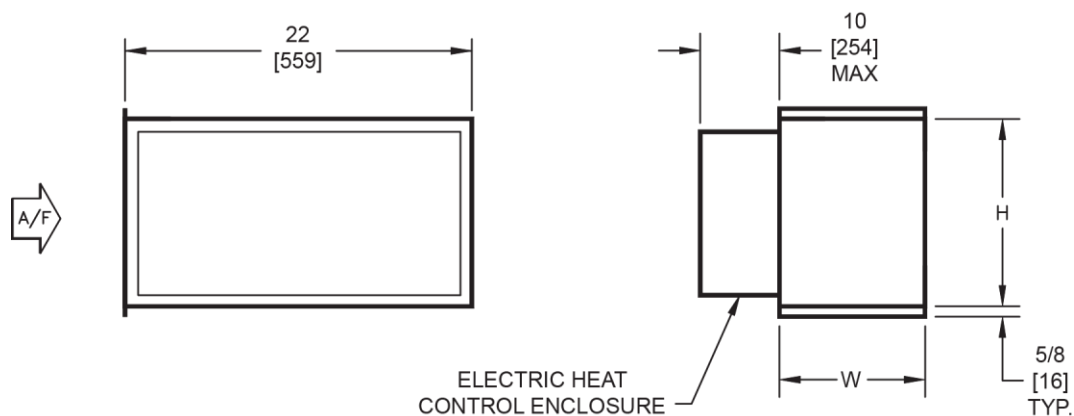
**SBH**

Horizontal Blower Coil



Unit Size	Fan Size	L	W	H	C	D	E	F	G	J
08	9x4 [229x102]	40 [1016]	30 [762]	21 [533]	16 [406]	20 [508]	5 [127]	10 1/4 [260]	6 7/8 [175]	11 9/16 [294]
12	9x6 [229x152]	40 [1016]	36 [914]	21 [533]	16 [406]	25 [635]	5 1/2 [140]	11 1/4 [286]	8 1/4 [210]	13 7/8 [352]
16	10x8 [254x203]	40 [1016]	44 [1148]	21 [533]	16 [406]	39 1/2 [1003]	2 1/4 [57]	11 3/8 [289]	10 1/4 [260]	16 7/8 [429]
20	10x10 [254x254]	40 [1016]	50 [1270]	21 [533]	16 [406]	44 1/2 [1130]	2 3/4 [70]	11 3/8 [289]	13 1/4 [337]	18 3/8 [467]
30	15x9 [381x229]	46 [1168]	59 [1499]	30 [762]	25 [635]	51 [1295]	4 [102]	16 [406]	13 1/4 [337]	22 7/8 [581]
40	15x11 [381x279]	46 [1168]	68 [1727]	30 [762]	25 [635]	59 [1499]	4 1/2 [114]	16 [406]	15 [381]	26 1/2 [673]

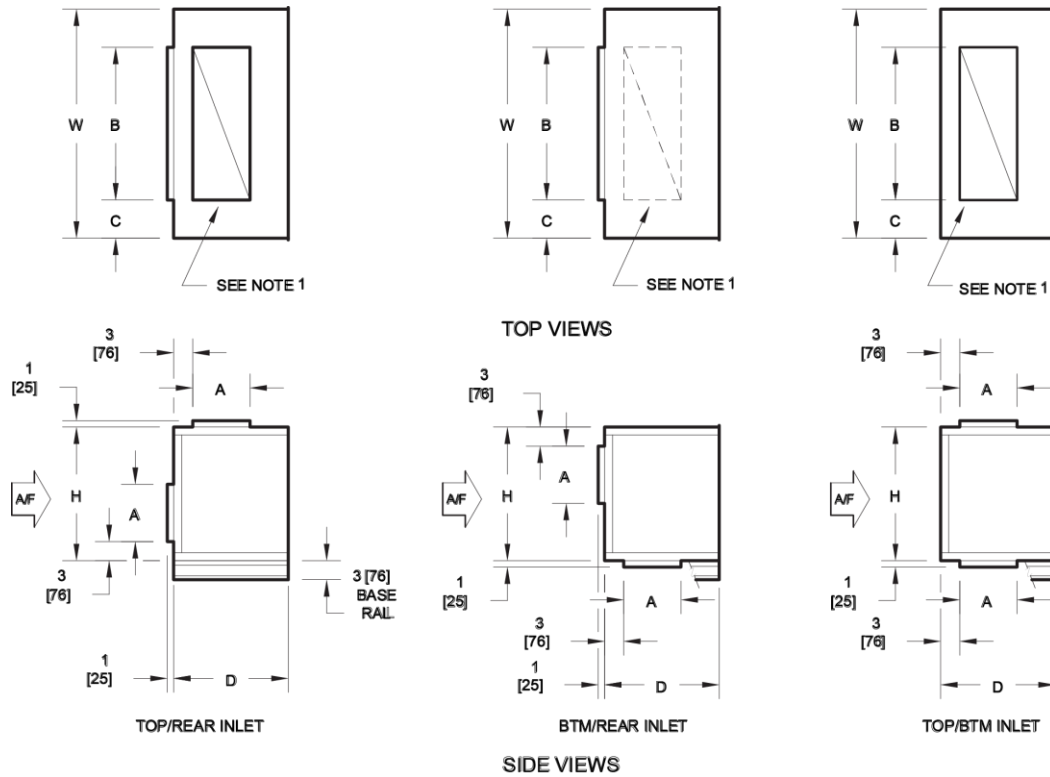
SBH, Blow Thru Electric Heat



Available for horizontal discharge only.

Unit Size	H	W	Weight lbs [kg]
08	11 7/8 [302]	8 7/8 [225]	42 [19]
12	11 7/8 [302]	8 7/8 [225]	42 [19]
16	12 [305]	10 7/8 [278]	42 [19]
20	12 [305]	13 7/8 [352]	50 [23]
30	16 5/8 [422]	13 7/8 [352]	55 [25]
40	16 5/8 [422]	15 5/8 [397]	55 [25]

□ SBH, Standard Mixing Box

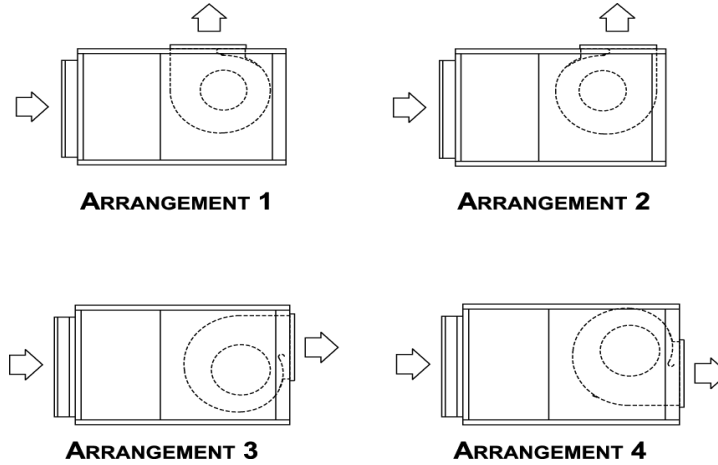


**NOTES:**

1. Damper drive rods are internal, located on both sides of unit.
2. Mixing box includes space for standard flat filter rack.

Unit Size	H	W	A	B	C	D
08	21 [533]	30 [762]	9 [229]	18 [457]	16 [406]	20 [508]
12	21 [533]	36 [914]	9 [229]	24 [610]	16 [406]	25 [635]
16	21 [533]	44 [1148]	9 [229]	30 [762]	16 [406]	39 ½ [1003]
20	21 [533]	50 [1270]	12 [305]	36 [914]	16 [406]	44 ½ [1130]
30	30 [762]	59 [1499]	12 [305]	45 [1143]	25 [635]	51 [1295]
40	30 [762]	68 [1727]	15 [381]	48 [1219]	25 [635]	59 [1499]

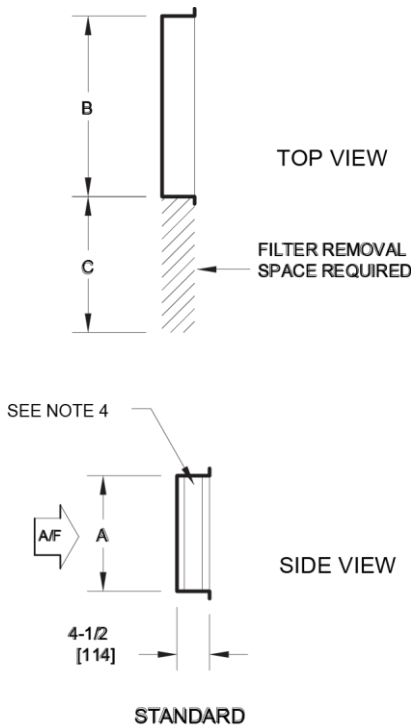
SBH, Discharge Options



**NOTES:**

1. Refer to Dimensional Data for unit dimensions.
2. Electric heaters are available in fan arrangement 3 and 4 only.

SBH, Standard Filter Rack

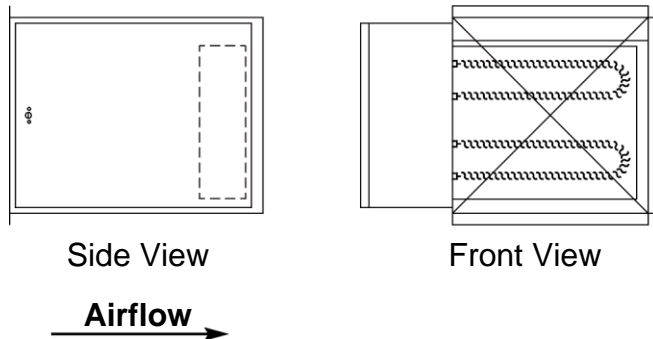


Unit Size	A	B	C	Quantity & Size Filters
08	16 [406]	20 [508]	20 [508]	(1) 16x20
12	16 [406]	25 [635]	25 [635]	(1) 16x25
16	16 [406]	39 ½ [1003]	20 [508]	(2) 16x20
20	16 [406]	44 ½ [1130]	25 [635]	(1) 16x20 (1) 16x25
30	25 [635]	51 [1295]	25 [635]	(2) 16x25 (1) 20x25
40	25 [635]	59 [1499]	25 [635]	(3) 20x25

**NOTES:**

1. Flat filter rack may be located at unit inlet as required.
2. Standard rack will accept nominal 1" or 2" thick filters.
3. 1" duct connections space provided on entering side of rack for connection of field ductwork.
4. Hinged cover provided in both sides of externally mounted filter racks. Internal standard filter racks have pivoting bar type filter retainer.
5. High efficiency rack will accept nominal 2" and/or 4" thick filters.
6. High efficiency rack not available with mixing box option.

Electric Heat



**Blow Thru**  
(installed on unit discharge)

UNIT VOLTAGE AND PHASE			ELECTRIC HEAT KW LIMITS											
			Unit Size											
			08		12		16		20		30		40	
			Min	Max	Min	Max	Min	Max	Min	Max	Min	Max	Min	Max
Single Phase	115	kW	3	5	3	5	3	5	4	5				
		AMPs	26.1	43.5	26.1	43.5	26.1	43.5	34.8	43.5				
	208	kW	3	9	3	9	3	9	4	9	6	9	7	9
		AMPs	14.4	43.3	14.4	43.3	14.4	43.3	19.2	43.3	28.8	43.3	33.7	43.3
	230	kW	3	11	3	11	3	11	4	11	6	11	7	11
		AMPs	13.0	47.8	13.0	47.8	13.0	47.8	17.4	47.8	26.1	47.8	30.4	47.8
277	kW	3	13	3	13	3	13	4	13	6	13	7	13	
	AMPs	10.8	46.9	10.8	46.9	10.8	46.9	14.4	46.9	21.7	46.9	25.3	46.9	
Three Phase	208	kW	3	13	3	16	3	16	4	16	4	16	7	16
		AMPs	8.3	36.1	8.3	44.4	8.3	44.4	11.1	44.4	11.1	44.4	19.4	44.4
	230	kW	3	13	3	18	3	18	4	18	4	18	7	18
		AMPs	7.5	32.6	7.5	45.2	7.5	45.2	10.0	45.2	10.0	45.2	17.6	45.2
	460	kW	3	13	3	20	3	20	4	26	4	26	7	38
		AMPs	3.8	16.3	3.8	25.1	3.8	25.1	5.0	32.6	5.0	32.6	8.8	47.7
	575	kW	3	13	3	20	3	20	4	26	4	26	7	46
		AMPs	3.0	13.1	3.0	20.1	3.0	20.1	4.0	26.1	4.0	26.1	7.0	46.2

**NOTES:**

- Standard heater kW limits are maximum per unit size and voltage.
- Heater should be sized for a maximum leaving air temperature of 104° F.

## Coil

SBH is available with hot water, chilled water, direct expansion (DX) and Steam coils for specific application. Coils are ARI certified and labeled.

### Nominal Coil Connection Sizes

UNIT SIZE	COIL TYPE														
	WATER					STEAM				REFRIGERANT					
	1 ROW	2 ROW	3 ROW	4 ROW	6 ROW	1 ROW		2 ROW		3 ROW		4 ROW		6 ROW	
						STM.	COND.	STM.	COND.	LIQ.	SUCT.	LIQ.	SUCT.	LIQ.	SUCT.
08	5/8" [16]	5/8" [16]	7/8" [22]	7/8" [22]	7/8" [22]	1 1/8" [29]	7/8" [22]	1 1/8" [29]	7/8" [22]	5/8" [16]	5/8" [16]	5/8" [16]	5/8" [16]	5/8" [16]	5/8" [16]
12	5/8" [16]	5/8" [16]	7/8" [22]	7/8" [22]	7/8" [22]	1 1/8" [29]	7/8" [22]	1 1/8" [29]	7/8" [22]	5/8" [16]	7/8" [22]	5/8" [16]	7/8" [22]	5/8" [16]	7/8" [22]
16	5/8" [16]	7/8" [22]	7/8" [22]	7/8" [22]	1 1/8" [29]	1 1/8" [29]	7/8" [22]	1 1/8" [29]	1 1/8" [29]	5/8" [16]	7/8" [22]	5/8" [16]	7/8" [22]	5/8" [16]	7/8" [22]
20	5/8" [16]	7/8" [22]	1 1/8" [29]	1 1/8" [29]	1 1/8" [29]	1 3/8" [35]	1 1/8" [29]	1 3/8" [35]	1 1/8" [29]	5/8" [16]	7/8" [22]	5/8" [16]	7/8" [22]	5/8" [16]	7/8" [22]
30	7/8" [22]	1 1/8" [29]	1 1/8" [29]	1 1/8" [29]	1 3/8" [35]	1 5/8" [41]	1 1/8" [29]	1 5/8" [41]	1 1/8" [29]	5/8" [16]	1 1/8" [29]	5/8" [16]	1 1/8" [29]	5/8" [16]	1 1/8" [29]
40	1 1/8" [29]	1 3/8" [35]	1 3/8" [35]	1 3/8" [35]	1 5/8" [41]	2 1/8" [54]	1 3/8" [35]	2 1/8" [54]	1 3/8" [35]	5/8" [16]	1 1/8" [29]	5/8" [16]	1 1/8" [29]	7/8" [22]	1 3/8" [35]

**NOTES:**

1. Water coils are based on Standard GPM Circuiting. Consult Titus for applications requiring special circuiting.
2. Refrigerant coil connection sizes for single circuit coils and may vary with application. Contact Titus for double circuit coils.
3. All dimensional data is outside diameter (O.D.)

## Unit Weight Data

COMPONENT	UNIT SIZE					
	08	12	16	20	30	40
BASE UNIT	135 [61]	157 [71]	177 [80]	200 [90]	290 [131]	360 [163]
MIXING BOX	46 [21]	54 [24]	65 [29]	90 [41]	105 [46]	162 [73]
BLOW THRU ELECTRIC HEATER	42 [19]	42 [19]	42 [19]	50 [23]	55 [25]	55 [25]
COIL ROWS	1 ROW - DRY	12 [5]	14 [6]	17 [8]	21 [10]	32 [15]
	1 ROW - WET	14 [6]	16 [7]	20 [9]	25 [11]	41 [19]
	2 ROW - DRY	17 [8]	21 [10]	26 [12]	33 [15]	52 [24]
	2 ROW - WET	21 [10]	26 [12]	32 [15]	42 [19]	69 [31]
	3 ROW - DRY	23 [10]	28 [13]	35 [16]	45 [20]	72 [33]
	3 ROW - WET	29 [13]	36 [16]	44 [20]	59 [27]	95 [43]
	4 ROW - DRY	29 [13]	35 [16]	44 [20]	57 [26]	91 [41]
	4 ROW - WET	37 [17]	45 [20]	56 [25]	74 [34]	121 [55]
	6 ROW - DRY	40 [18]	49 [22]	62 [28]	81 [37]	132 [60]
6 ROW - WET	52 [24]	64 [29]	81 [37]	106 [48]	178 [81]	

**NOTE:** Unit weight data is shipping weight in pounds [kilograms].

**STANDARD FEATURES****Construction**

- Galvanized steel cabinet construction, minimum 18 gauge
- 1" thick fiberglass insulation
- 1" supply duct collars
- Gasketed, removable access panels sized for easy handling
- IAQ Galvanized steel drain pan
- Left and right hand arrangement

**Fan Assembly**

- Forward curved (double width, double inlet) fans
- Statically and dynamically balanced
- Solid steel shafting
- Ball bearings with a minimum design average life (L50) of 100,000 hours

**Fan Motor and Drive**

- NEMA design ODP motors
- 1750 RPM single speed, 60 Hertz
- Single phase motors with inherent thermal protection
- Three phase motors
- Rigid mount adjustable motor base
- Standard cross section "V-belt" drive with 1.2 service factor
- Adjustable pitch motor pulley and fixed pitch blower pulley

**Coils**

- ARI 410 certified and labeled
- 1/2" O.D. seamless copper tubes
- High efficiency aluminum fin surface for optimizing heat transfer, pressure drop and carryover
- Mechanically expanded copper tubes leak tested to a minimum 450 PSIG air pressure under water
- Manual air vent plug on all water coils
- Copper ODM sweat connections
- 300 PSIG working pressure at 200° F
- Evaporator coils are factory sealed and charged with a minimum of 5 PSIG nitrogen or refrigerated dry air
- Steam coils rated at 15 PSIG maximum operating pressure at about 35° F
- 0.016" tube wall thickness (0.025" on steam)

**Filters and Filter Rack**

- Hinged side access flat filter rack
- Standard size 2" nominal throwaway filters
- Filter rack designed to accept 2" filters

**Electrical**

- Fan motor wired and terminated to J-Box
- All units cETL listed in compliance with
- UL/ANSI Standard 1995

**OPTIONAL FEATURES****Construction**

- IAQ (sloped) stainless steel drain pan with 1" MPT galvanized pipe outlet
- Galvanized steel drain pan
- External rubber-in-shear or spring type vibration isolators, hangers or floor mount
- Fan discharge arrangements
- Scrim reinforced foil faced insulation
- Hinged access panels with lift and turn fasteners
- Base rails with rigging slots factory assembled and installed
- Auxiliary (secondary) drain connections

**Fan Motor and Drive**

- High efficiency motors
- TEFC motors

**Coils**

- 3, 4 and 6 row chilled water or DX coils
- 1 and 2 row hot water or standard steam coils
- Heating coil in preheat or reheat position
- Coil connections opposite handing
- Stainless steel coil casings
- Automatic air vents on water coils
- Heat pump compatible cooling coils
- 0.025" tube wall thickness

**Filters**

- 2" pleated filter
- Spare throwaway or pleated filters
- High efficiency filter rack with 2" and 4" filters

**Inlet Damper Section**

- Factory assembled and installed
- Heavy gauge galvanized steel formed blade dampers
- Low leak dampers with extruded vinyl blade seals and flexible metal jamb seals
- Parallel blade operation
- Interconnecting damper linkage

**Electrical**

- Motor wiring on conduit
- Motor starter (contactor with overload for three phase; contactor for single phase), factory installed (mounted and wired)
- Door interlocking disconnect switch (non-fused)
- Hand off auto switch (HOA)
- Main fusing

**Electric Heat Section**

- Factory mounted electric heater with single point power connection, cETL listed as an assembly (see page 8)