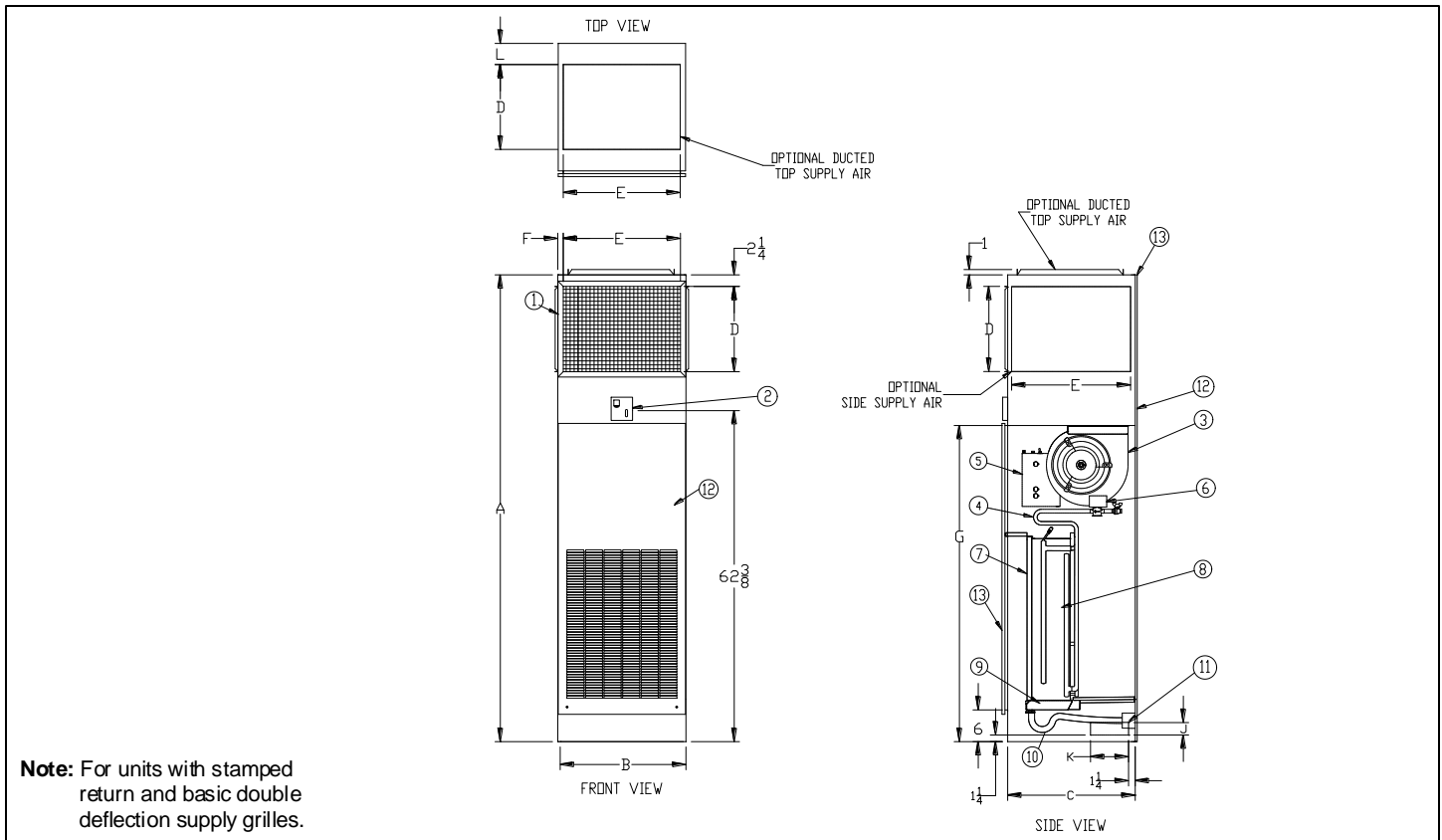


AVSS

Vertical Stack Recessed Slave



Model	Dimensions - Single Supply Option (inches)											Approx. Weight (lb)
	A	B	C	D	E	F	G	J	K	L	Filter	
AVSS03	88	17	17	8	15	1	56 5/8	3 1/4	7 3/8	3 1/2	13x23x1	230
AVSS04	88	17	17	10	15	1	56 5/8	3 1/4	7 3/8	3 1/2	13x23x1	240
AVSS06	88	20	20	10	18	1	56 5/8	3 1/4	8 7/8	4	16x27x1	270
AVSS08	88	20	20	12	18	1	56 5/8	3 1/4	8 7/8	4	16x27x1	280
AVSS10	88	24	24	12	22	1	59 5/8	2 3/8	10 7/8	5	20x31x1	310
AVSS12	88	24	24	16	22	1	59 5/8	2 3/8	10 7/8	4	20x31x1	320

1. Supply air grille (optional)
2. Unit-mounted thermostat (optional)
3. Blower / motor assembly
4. Expansion loop
5. Electrical junction box
6. Valve package (optional)
7. Filter
8. Coil assembly
9. Condensate pan
10. See-through P-Trap drain
11. Fresh air damper opening 4" x 8" w/ duct collar (optional)
12. Stamped Return Air/Access pane (optional)
13. 1-hour firewall (optional)

Model	Dimensions - Dual Supply Option (inches)											Approx. Weight (lb)
	A	B	C	D	E	F	G	J	K	L	Filter	
AVSS03	88	17	17	6	15	1	56 5/8	3 1/4	7 3/8	3 1/2	13x23x1	230
AVSS04	88	17	17	6	15	1	56 5/8	3 1/4	7 3/8	3 1/2	13x23x1	240
AVSS06	88	20	20	6	18	1	56 5/8	3 1/4	8 7/8	4	16x27x1	270
AVSS08	88	20	20	6	18	1	56 5/8	3 1/4	8 7/8	4	16x27x1	280
AVSS10	88	24	24	8	22	1	59 5/8	2 3/8	10 7/8	5	20x31x1	310
AVSS12	88	24	24	8	22	1	59 5/8	2 3/8	10 7/8	4	20x31x1	320

This submittal is meant to demonstrate general dimensions of this product. The drawings are not meant to detail every aspect of the product. Drawings are not to scale. Superior Rex reserves the right to make changes without written notice.

Accessories (Optional)

Check if provided.

Non-Standard Accessories

<input type="checkbox"/> Thermostat Quick Connect	<input type="checkbox"/> Washable Filter	<input type="checkbox"/> Custom Return Grille / Access Panel
<input type="checkbox"/> Control Transformer & Fan Relays	<input type="checkbox"/> Fuse	<input type="checkbox"/> 1" Matte-Faced Cabinet Insulation
<input type="checkbox"/> Aquastat Changeover Switch	<input type="checkbox"/> Additional Supply Location	
<input type="checkbox"/> Manual Damper <input type="checkbox"/> Auto Damper	<input type="checkbox"/> Additional Supply Grille	
<input type="checkbox"/> Motor Quick Disconnect	<input type="checkbox"/> Sound and Privacy Baffle	
	<input type="checkbox"/> Special Grille Color _____(specify)	

Coil - 3/8" O.D. Copper Tube; 10 Fins/Inch Aluminum, Sine Wave

2-Pipe

2-Row 3-Row 4-Row 5-Row

4-Pipe (Cooling Rows/Heating Rows)

2/1-Row 3/1-Row 3/2-Row 4/1-Row

Chilled Water Cooling Hot Water Heating

Glycol Cooling Glycol Heating

Motor

Motor(s) - 3 speed PSC

Standard 115V/60Hz/1ph	Optional Standard Voltages:	Optional High Static 115V/60Hz/1ph	Optional High Static Voltages:
---------------------------	--------------------------------	---------------------------------------	-----------------------------------

Model	HP	Total
AVSS03	1/10	1.3
AVSS04	1/10	1.4
AVSS06	1/10	2.0
AVSS08	1/4	2.9
AVSS10	1/4	4.0
AVSS12	1/3	3.7

208V/60Hz/1ph

230V/60Hz/1ph

277V/60Hz/1ph

Model	HP	Total
AVSS03	1/10	1.6
AVSS04	1/10	1.6
AVSS06	1/4	2.9
AVSS08	1/4	3.5
AVSS10	1/4	4.3
AVSS12	1/3	4.0

208V/60Hz/1ph

230V/60Hz/1ph

277V/60Hz/1ph

Features:

- Automatic Reset
- Thermal Overload Protection System

Electric Heat – Single Phase (Optional)

Heater Voltage	Electric Heater kW Primary or Supplementary					
	Size	Blowers	115 Volts	208 Volts	230 Volts	277 Volts
			Min-Max kW	Min-Max kW	Min-Max kW	Min-Max kW
<input type="checkbox"/> 115V	03	1	1-1.5 kW	1-2 kW	1-2 kW	1-2.5 kW
<input type="checkbox"/> 208V	04	1	1-1.5 kW	1-2 kW	1-2 kW	1-2.5 kW
<input type="checkbox"/> 230V	06	1	1-2.5 kW	1-3 kW	1-3 kW	1-3.5 kW
<input type="checkbox"/> 277V	08	1	1-2.5 kW	1-3 kW	1-3 kW	1-3.5 kW
	10	1	1-3 kW	1-3 kW	1-3.5 kW	1-5 kW
	12	1	1-3 kW	1-3 kW	1-3.5 kW	1-5 kW

This submittal is meant to demonstrate general dimensions of this product. The drawings are not meant to detail every aspect of the product. Drawings are not to scale. Superior Rex reserves the right to make changes without written notice.

Condensate Pan

- Single Wall Galvanized (STD.)
- Single Wall Stainless Steel
- Double Wall with Galvanized Inner Layer
- Double Wall with Stainless Steel Inner Layer

Description: Single wall of 18 gauge Galvanized Sheet Metal with 3/8" - Inch Closed Cell Insulation.

Valves and Valve Accessories

- | | |
|--|--|
| <input type="checkbox"/> Shut - Off Valve(s) (STD.) | <input type="checkbox"/> Strainer(s) |
| <input type="checkbox"/> Shut - Off Valve w/ Memory Stop | <input type="checkbox"/> Manual Flow Control Valve(s) |
| <input type="checkbox"/> 2 - Way Motorized Valve (STD.) | <input type="checkbox"/> Automatic Flow Control Valve(s) |
| <input type="checkbox"/> 3 - Way Motorized Valve | <input type="checkbox"/> Unions |
| <input type="checkbox"/> 2 - Way Modulating Valve | <input type="checkbox"/> Pete's Plug(s) |

General Description

- This horizontal discharge, vertical stack unit is designed for concealed installations in high-rise hotels, motels, apartment buildings and nursing homes. The risers are incorporated with the unit for quick and economical installation.
- Exterior fabricated of 18 gauge galvanized steel with 1/2" matte-faced liner for maximum thermal and acoustical insulation, unpainted.
- Removable motor/blower assembly mounted on a deck which slides out for easy maintenance.
- Stamped Steel return air grille/access panel, white with powder polyester coated paint, oven baked. (optional)
- 1-Hour fire wall in compliance with ANSI/UL 1479. ETL listed. (optional)
- Throwaway filter.
- Manual air vent.
- Aluminum double deflection white supply grille. (optional)
- Transparent flexible P-Trap drain.
- System charged with air to insure a leak free arrival at the job site.
- One 2-Way motorized valve with 2 shut-off valves for 2-Pipe systems and two sets for a 4-Pipe system. (optional)
- Unit disconnect switch on internal junction box. (optional)
- Line voltage thermostat incorporating 3-speed switch. (optional)

This submittal is meant to demonstrate general dimensions of this product. The drawings are not meant to detail every aspect of the product. Drawings are not to scale. Superior Rex reserves the right to make changes without written notice.