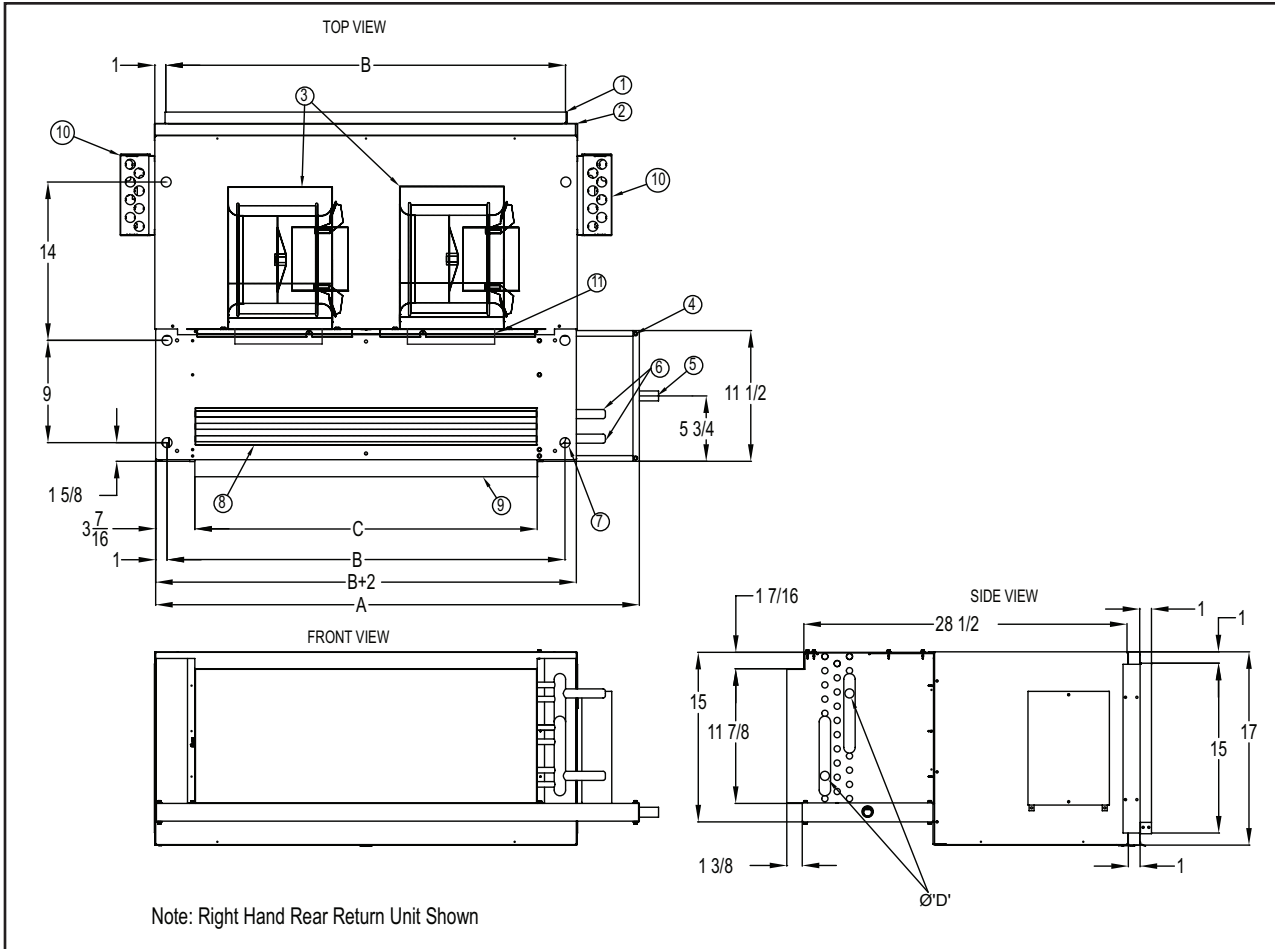


DIMENSIONS

AHR CONCEALED CEILING WITH PLENUM



- 1. Return Air Flange
- 2. Filter Bottom Return (Optional)
- 3. Motor/Blower(s) Assembly
- 4. Condensate Tray (Double Wall optional)

- 5. Condensate Connection  $\frac{3}{4}$ " MNPT
- 6. Coil Connections (2-Pipe Shown)
- 7. Hanging Points
- 8. Coil
- 9. Supply Air Flange

- 10. Electric Control Panel - Note: Control box may be mounted on either side.
- 11. Electric Heaters (optional)

Model	Dimensions (inches)					Approx. Weight (pounds)
	A	B	C	D	Filter	
AHR06	25½	18	13	5/8	20x17x1	81
AHR08	30½	23	18	5/8	25x17x1	94
AHR10	33½	26	21	7/8	28x17x1	106
AHR12	38½	31	26	7/8	33x17x1	117
AHR14	42½	35	30	7/8	37x17x1	154
AHR16	46½	39	34	7/8	41x17x1	175
AHR18	51½	44	39	7/8	46x17x1	195
AHR20	55½	48	43	7/8	50x17x1	212

All dimensions are in inches.