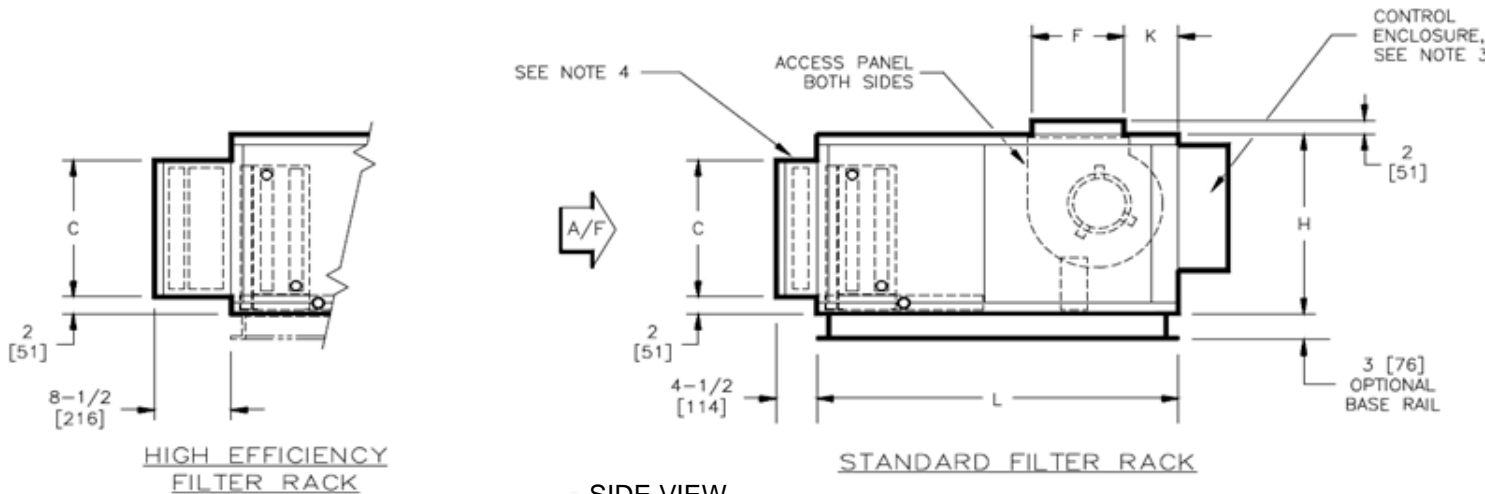
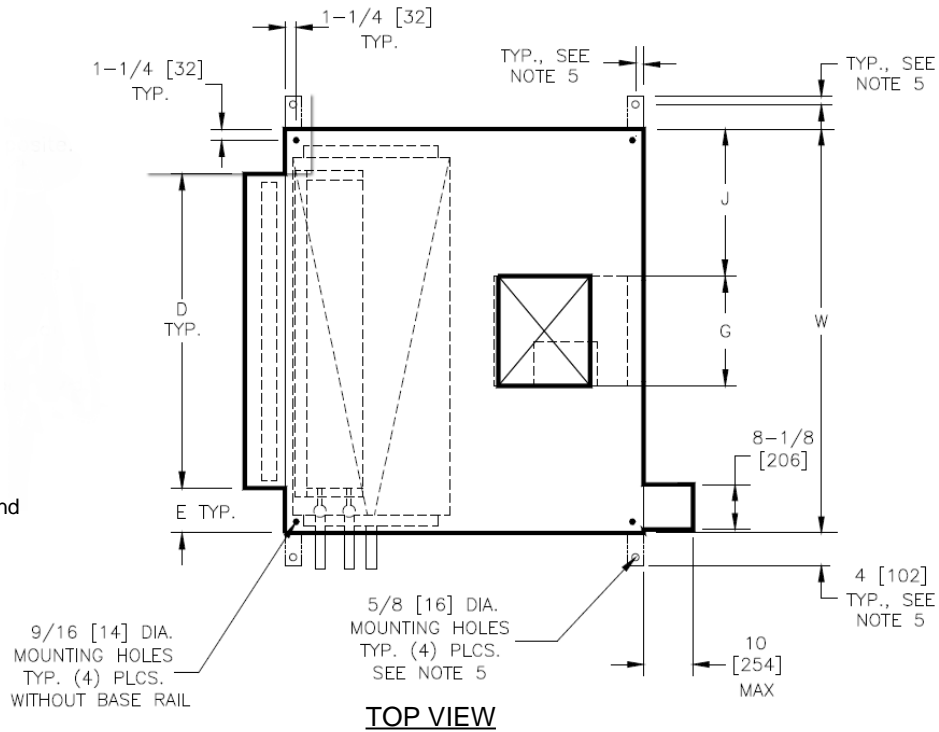


SBHD Arr. 1

Model SBHD Direct Drive Blower Coil Unit Discharge ARG. 1

NOTES:

1. All dimensions are Inches [millimeters]. All dimensions are $\pm 1/4"$ [6mm]. Metric Values are soft conversion.
2. Right hand unit shown, left hand unit opposite. Motor/drive location may be specified Left or Right Hand. Standard control enclosure location matches motor/drive position.
3. Provide sufficient clearance to permit access. To controls and comply with applicable codes and ordinances.
4. See drawing BC-SBHD-16.0 for filter rack details.
5. Base rail is optional on the base unit. See drawing BC-SBHD-18.0 Base rails must be used with mixing box.
6. See coil connection details drawings for coil connection sizes and locations.



DIMENSIONS

SIZE	FAN SIZE	L	W	H	C	D	E	F	G	J	K
08	9 X 6 [229 X 152]	40 [1016]	30 [762]	21 [533]	16 [406]	20 [508]	5 [127]	10-3/8 [264]	8-3/8 [213]	10-7/8 [276]	7 [178]
12	9 X 6 [229 X 152]	40 [1016]	36 [914]	21 [533]	16 [406]	25 [635]	5-1/2 [140]	10-3/8 [264]	8-3/8 [213]	13-7/8 [352]	7 [178]
16	10 X 8 [254 X 203]	40 [1016]	44 [1118]	21 [533]	16 [406]	39-1/2 [1003]	2-1/4 [57]	11-1/2 [292]	10-5/8 [270]	16-5/8 [422]	8 [203]
20	10 X 8 [254 X 203]	40 [1016]	50 [1270]	22-1/2 [572]	16 [406]	44-1/2 [1130]	2-3/4 [70]	11-1/2 [292]	10-5/8 [270]	19-5/8 [498]	8 [203]
30	10 X 8 [254 X 203]	46 [1168]	59 [1499]	30 [762]	25 [635]	51 [1295]	4 [102]	11-1/2 [292]	10-5/8 [270]	24-1/4 [616]	10-1/4 [260]
40	10 X 8 [254 X 203]	46 [1168]	68 [1727]	30 [762]	25 [635]	59 [1499]	4-1/2 [114]	11-1/2 [292]	10-5/8 [270]	28-5/8 [727]	10-1/4 [260]

New	08/04/22	SP	New Release
Revision Date	Version Date	Initiated By	Description