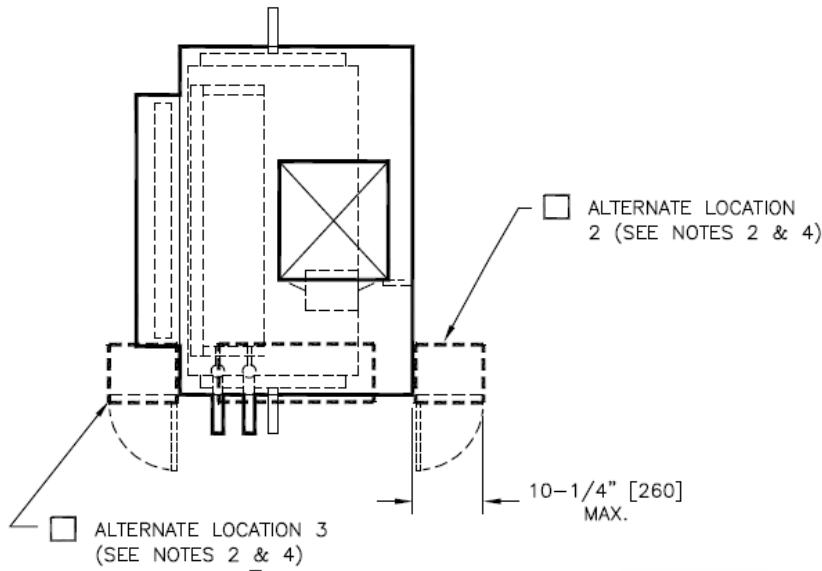
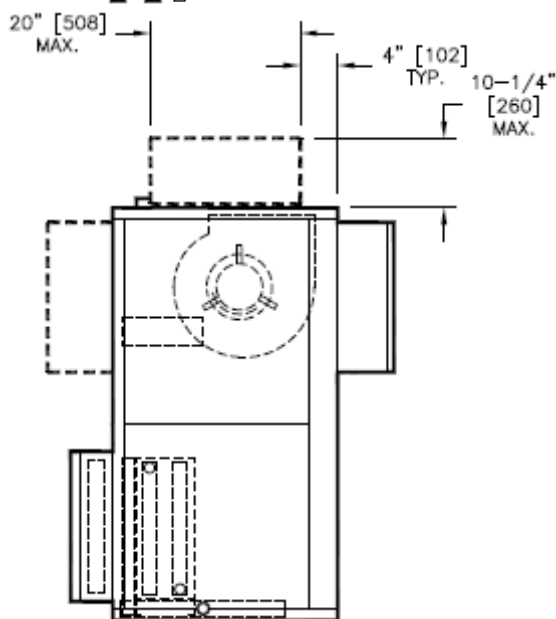
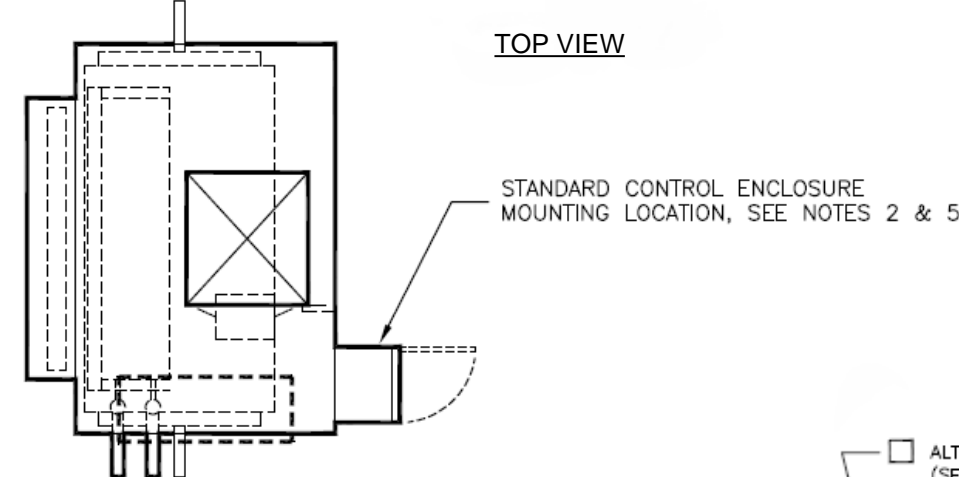


SBVD Vertical DDBC Alternate Control Enclosure Mounting

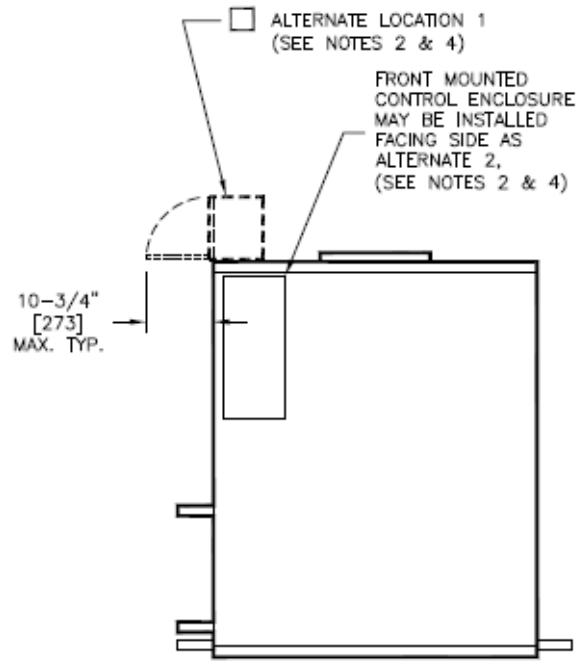
Alternate Locations Control Enclosure Mounting Vertical BCU, Direct Drive



TOP VIEW



SIDE VIEW



FRONT VIEW

NOTES:

1. All dimensions are Inches [millimeters]. All dimensions are $\pm 1/4$ " [6mm]. Metric values are soft conversion.
2. Right hand unit shown, left hand unit opposite. Motor/drive location may be specified Left or Right Hand. Standard control enclosure location matches motor/drive position.
3. Provide sufficient clearance to permit access to controls and comply with applicable codes and ordinances.
4. Enclosure may overhang unit cabinet up to $1/2$ " [13]
5. Enclosure cover hinging direction may vary.
6. Model SBVD unit shown.
7. Drawing depicts control box locations but not actual blower arrangement.

New	08/04/22	SP	New Release
Revision Date	Version Date	Initiated By	Description