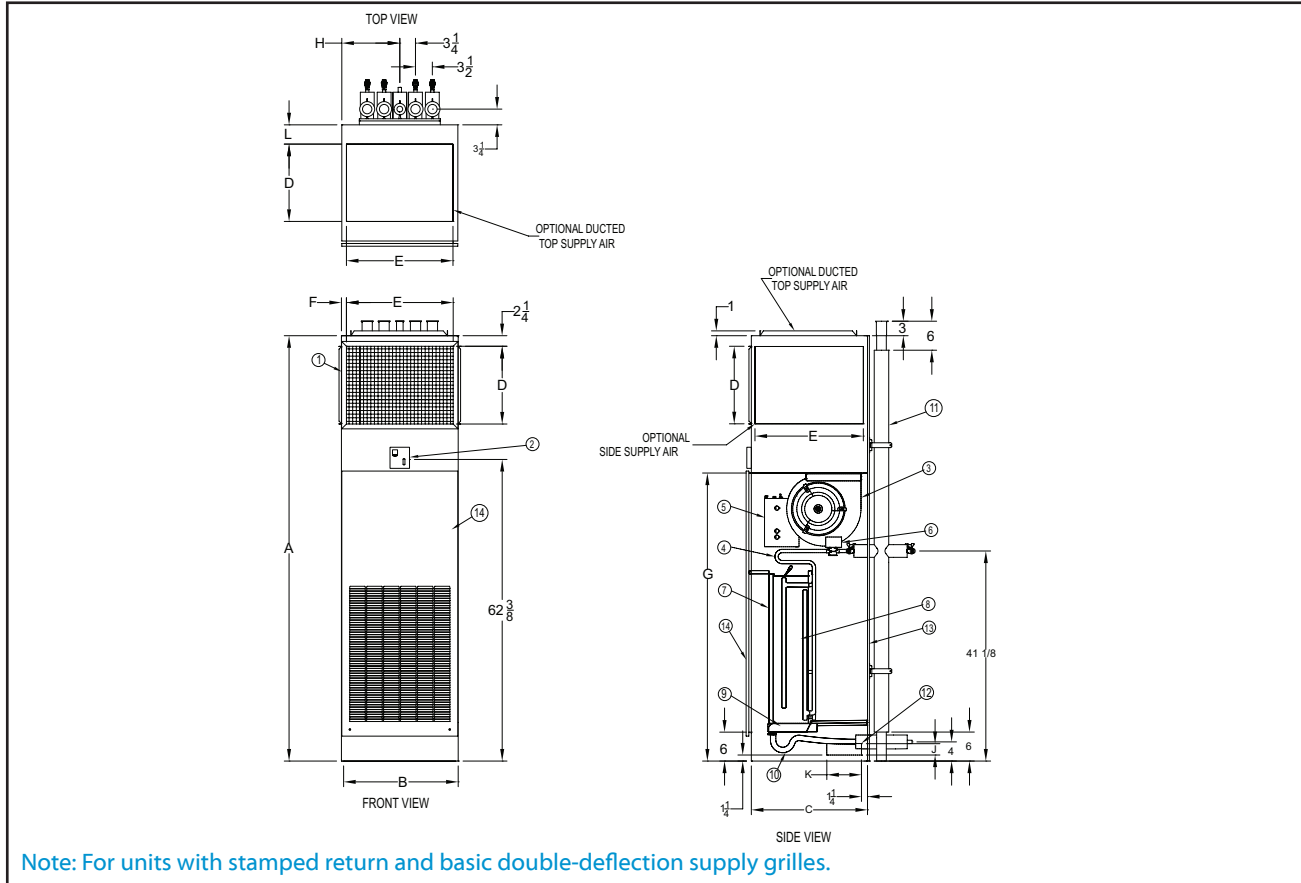


AVSM RECESSED HI-RISE REMOTE PRIMARY



Note: For units with stamped return and basic double-deflection supply grilles.

- 1. Supply Air Grille (optional)
- 2. Unit-Mounted Thermostat (optional)
- 3. Motor/Blower(s) Assembly
- 4. Riser Expansion Loops (optional)
- 5. Electrical Control Box
- 6. Valve Package (optional)
- 7. Filter
- 8. Coil
- 9. Condensate Tray
- 10. See through P-Trap Drain
- 11. Riser Assembly (optional)
- 12. Fresh Air Damper Opening (optional)
- 13. 1-hour Firewall (optional)
- 14. Return Air/Access Panel (optional)

Model	Dimensions - Single Supply Option (inches)												Approx. Weight (pounds)
	A	B	C	D	E	F	G	H	J	K	L	Filter	
AVSM03	88	17	17	8	15	1	56 5/8	8 1/2	3 1/4	7 3/8	3 1/2	13x23x1	230
AVSM04	88	17	17	10	15	1	56 5/8	8 1/2	3 1/4	7 3/8	3 1/2	13x23x1	240
AVSM06	88	20	20	10	18	1	56 5/8	10	3 1/4	8 7/8	4	16x27x1	270
AVSM08	88	20	20	12	18	1	56 5/8	10	3 1/4	8 7/8	4	16x27x1	280
AVSM10	88	24	24	12	22	1	59 5/8	12	2 3/8	10 7/8	5	20x31x1	310
AVSM12	88	24	24	16	22	1	59 5/8	12	2 3/8	10 7/8	4	20x31x1	320

Model	Dimensions - Dual Supply Option (inches)												Approx. Weight (pounds)
	A	B	C	D	E	F	G	H	J	K	L	Filter	
AVSM03	88	17	17	6	15	1	56 5/8	8 1/2	3 1/4	7 3/8	3 1/2	13x23x1	230
AVSM04	88	17	17	6	15	1	56 5/8	8 1/2	3 1/4	7 3/8	3 1/2	13x23x1	240
AVSM06	88	20	20	6	18	1	56 5/8	10	3 1/4	8 7/8	4	16x27x1	270
AVSM08	88	20	20	6	18	1	56 5/8	10	3 1/4	8 7/8	4	16x27x1	280
AVSM10	88	24	24	8	22	1	59 5/8	12	2 3/8	10 7/8	5	20x31x1	310
AVSM12	88	24	24	8	22	1	59 5/8	12	2 3/8	10 7/8	4	20x31x1	320

All dimensions are in inches.