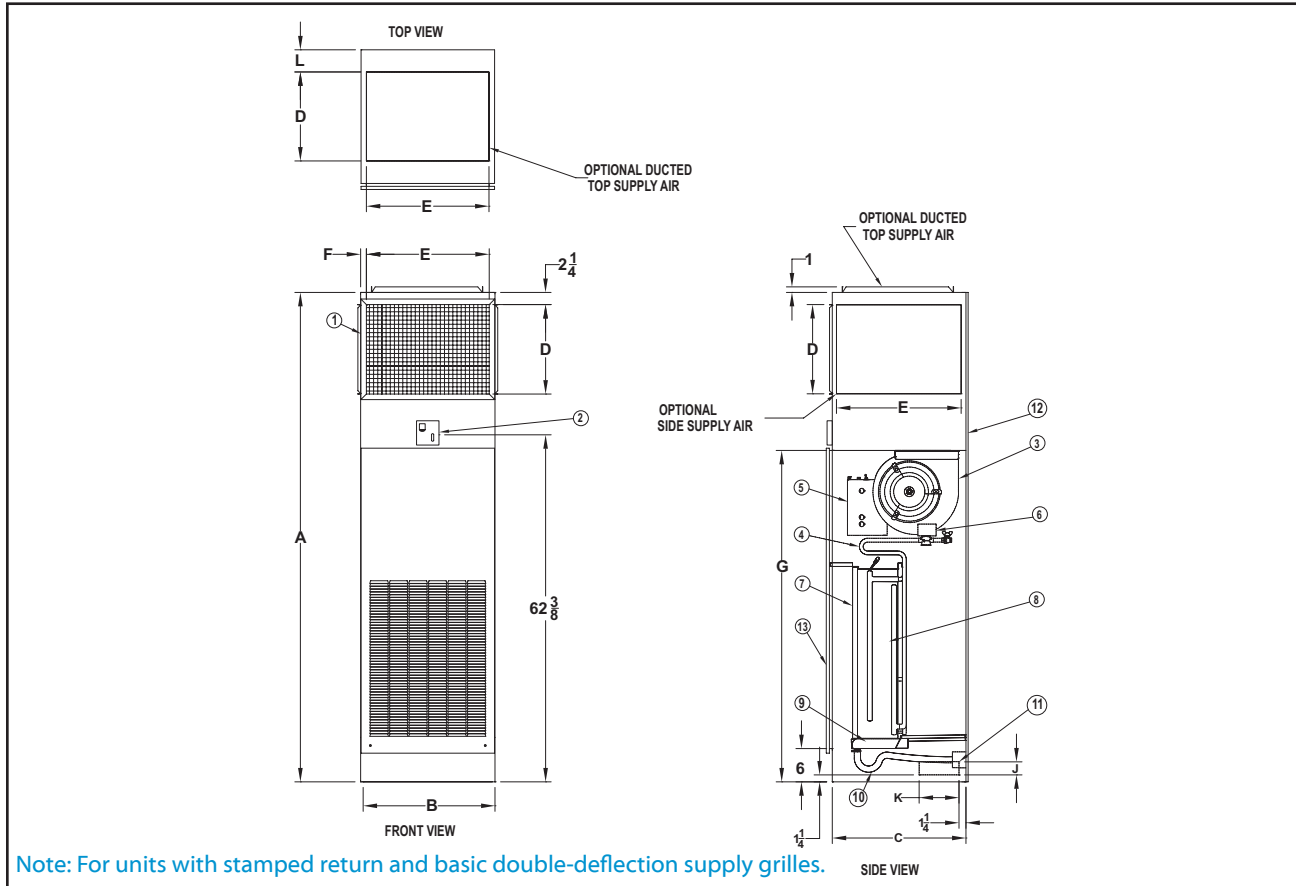


AVSS RECESSED HI-RISE REMOTE SECONDARY



Note: For units with stamped return and basic double-deflection supply grilles.

- | | | |
|---------------------------------------|------------------------------|---|
| 1. Supply Air Grille (optional) | 6. Valve Package (optional) | 11. Fresh Air Damper Opening (optional) |
| 2. Unit-Mounted Thermostat (optional) | 7. Filter | 12. 1-hour Firewall (optional) |
| 3. Blower / Motor Assembly | 8. Coil Assembly | 13. Return Air/Access Panel (optional) |
| 4. Riser Expansion Loops (optional) | 9. Condensate pan | |
| 5. Electrical Control Box | 10. See through P-Trap Drain | |

Model	Dimensions - Single Supply Option (inches)												Approx. Weight (pounds)
	A	B	C	D	E	F	G	H	J	K	L	Filter	
AVSS03	88	17	17	8	15	1	56 5/8	8 1/2	3 1/4	7 3/8	3 1/2	13x23x1	230
AVSS04	88	17	17	10	15	1	56 5/8	8 1/2	3 1/4	7 3/8	3 1/2	13x23x1	240
AVSS06	88	20	20	10	18	1	56 5/8	10	3 1/4	8 7/8	4	16x27x1	270
AVSS08	88	20	20	12	18	1	56 5/8	10	3 1/4	8 7/8	4	16x27x1	280
AVSS10	88	24	24	12	22	1	59 5/8	12	2 3/8	10 7/8	5	20x31x1	310
AVSS12	88	24	24	16	22	1	59 5/8	12	2 3/8	10 7/8	4	20x31x1	320

Model	Dimensions - Dual Supply Option (inches)												Approx. Weight (pounds)
	A	B	C	D	E	F	G	H	J	K	L	Filter	
AVSS03	88	17	17	6	15	1	56 5/8	8 1/2	3 1/4	7 3/8	3 1/2	13x23x1	230
AVSS04	88	17	17	6	15	1	56 5/8	8 1/2	3 1/4	7 3/8	3 1/2	13x23x1	240
AVSS06	88	20	20	6	18	1	56 5/8	10	3 1/4	8 7/8	4	16x27x1	270
AVSS08	88	20	20	6	18	1	56 5/8	10	3 1/4	8 7/8	4	16x27x1	280
AVSS10	88	24	24	8	22	1	59 5/8	12	2 3/8	10 7/8	5	20x31x1	310
AVSS12	88	24	24	8	22	1	59 5/8	12	2 3/8	10 7/8	4	20x31x1	320

All dimensions are in inches.